

SCALE 2:1

| | | | | |
|--|-----|----------|----|----------|
| GENERAL TOLERANCE UNLESS OTHERWISE SPECIFIED | rev | ecn no | dr | date |
| XX = +0.25 | A | T06-0062 | JH | 04/14/06 |
| LINER XXX = +0.15 | B | T07-1029 | JH | 3/26/07 |
| XXXX = +0.05 | | | | |
| ANGULAR ±2° | | | | |

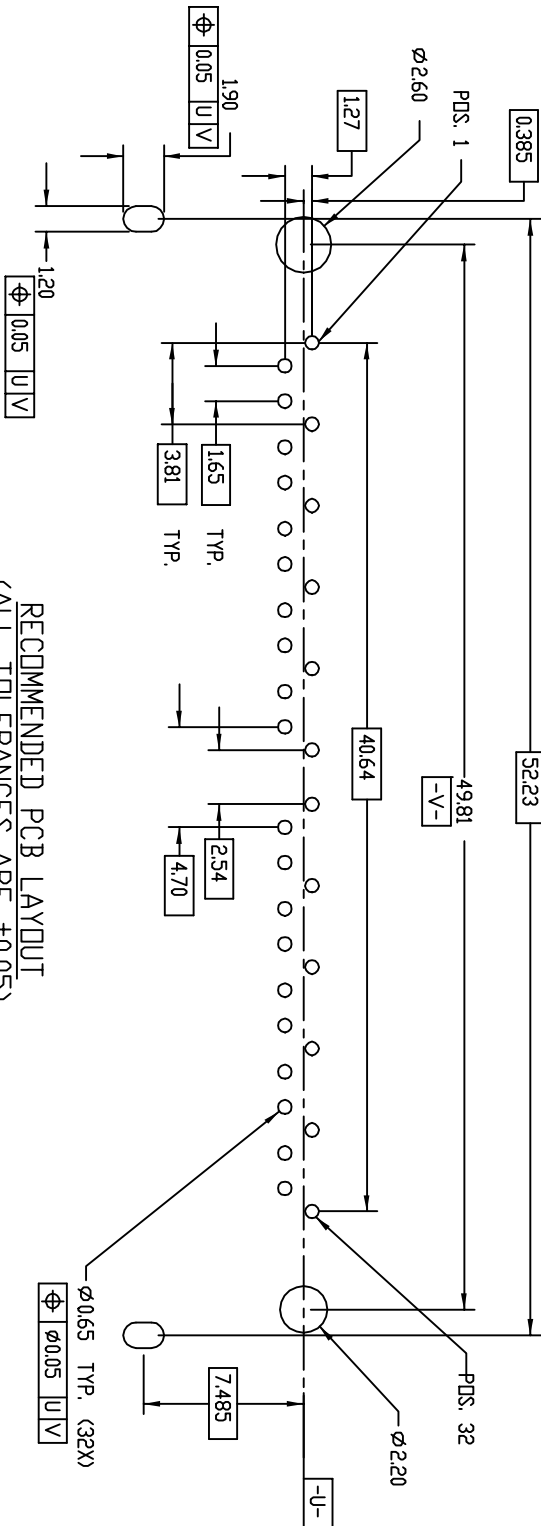
| | | | | | |
|--------------------|------------|------------|----------------------|------------|--------------|
| www.fciconnect.com | | ASME Y14.5 | tolerance ASME Y14.5 | projection | Scale |
| Dr | JASON SHU | 04/14/06 | Product family | | 2:1 |
| Eng | CS TED | 04/14/06 | Spec ref | | |
| Dwg | CS TED | 04/14/06 | Material | | |
| Appr | JOEY NG | 04/14/06 | SEE NOTES | | |
| part # | 4 LANE R/A | | on Gmp | | |
| catalog no | TH HEADER | | | | |
| | | | CUSTOMER | 10035104 | Rev. B |
| | | | | | sheet 1 of 2 |



All rights strictly reserved. Reproduction or issue to third parties in any form whatever is not permitted without written authority from the proprietor. Property of FCI. Copyright FCI.

Tous droits strictement reserves. Reproduction ou communication a des tiers interdite sous quelque forme que ce soit sans autorisation ecrite du propriétaire. Propriete de c FCI. Droits de reproduction FCI.

| PRODUCT NO. | PCB THICKNESS | DIMENSION 'A' | DIMENSION 'B' | DIMENSION 'C' | COLOR |
|----------------|---------------|---------------|---------------|---------------|---------|
| 10035104-001LF | 1.57±0.10 | 2.54±0.20 | 2.75±0.20 | 3.20±0.10 | BLACK |
| 10035104-002LF | 3.18±0.10 | 4.06±0.20 | 4.35±0.20 | 4.80±0.10 | BLACK |
| 10035104-003LF | 1.57±0.10 | 2.54±0.20 | 2.75±0.20 | 1.55±0.10 | BLACK |
| 10035104-004LF | 3.18±0.10 | 4.06±0.20 | 4.35±0.20 | 1.55±0.10 | BLACK |
| 10035104-101LF | 1.57±0.10 | 2.54±0.20 | 2.75±0.20 | 3.20±0.10 | NATURAL |



RECOMMENDED PCB LAYOUT
(ALL TOLERANCES ARE ±0.05)

SCALE 3:1

NOTES

- MATERIAL:
HOUSING: HIGH TEMPERATURE PLASTIC, UL94V-0
CONTACT: COPPER ALLOY
HOLD DOWN: COPPER ALLOY
- FINISH:
CONTACT: 1.27µm MIN NICKEL UNDERPLATE OVERALL,
2.54µm MIN TIN (LEAD-FREE) ON SOLDER TAIL,
0.75µm MIN GOLD IN CONTACT AREA
- THIS PRODUCT MEETS EUROPEAN UNION DIRECTIVES AND OTHER COUNTRY REGULATIONS AS DESCRIBED IN GS-22-008
- THE HOUSING WILL WITHSTAND EXPOSURE TO 260°C PEAK TEMPERATURE FOR 10 SECONDS IN A CONVECTION, INFRA-RED OR VAPOR PHASE REFLOW OVEN
- CONTACT WIFE: 207 MIN FOR SIGNAL AND 252 MIN FOR GROUND

| | | | | | |
|------------|-------------------------|----------|----------|-------|--------|
| title | 4 LANE R/A TH HEADER | dwg no | 10035104 | Rev. | B |
| catalog no | | CUSTOMER | | sheet | 2 of 2 |